

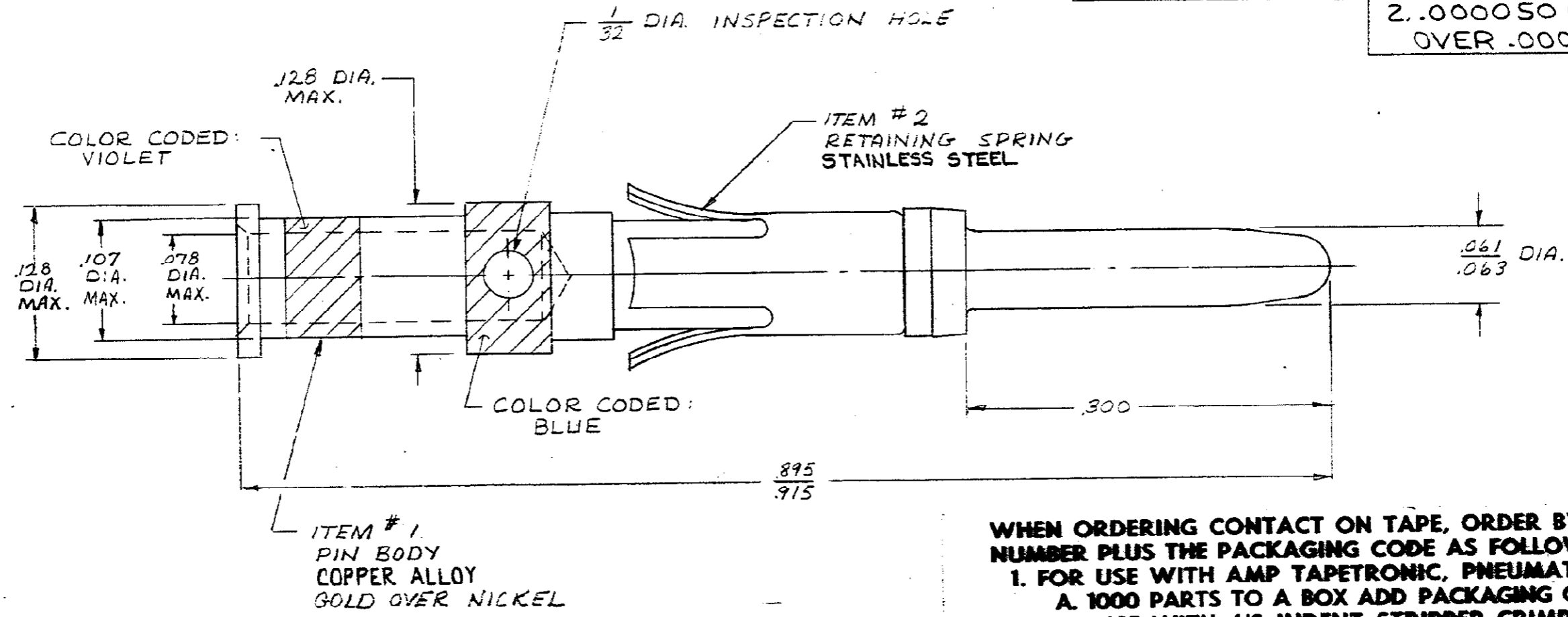
NUMBER 201645

USED ON

201645-1 .000030 MIN GOLD OVER
 1.000050 MIN NICKEL.
 2. LMTS ON TAPE

OBSOLETE 201645-2 1. SAME AS -1 EXCEPT:
 2. .000050 GOLD OVER .000030 NI.

OBSOLETE 201645-3 1. SAME AS -1 EXCEPT:
 2. .000050 GOLD OVER .000030 NI.



WHEN ORDERING CONTACT ON TAPE, ORDER BY THE TAPE NUMBER PLUS THE PACKAGING CODE AS FOLLOWS:

- FOR USE WITH AMP TAPETRONIC, PNEUMATIC TOOL -
 - 1000 PARTS TO A BOX ADD PACKAGING CODE: 1MBOX
- FOR USE WITH 4/8 INDENT STRIPPER CRIMPER -
 - 1000 PARTS TO A REEL ADD PACKAGING CODE: 1MREEL
 - 5000 PARTS TO A REEL ADD PACKAGING CODE: 5MREEL

03

DIMENSIONS IN INCHES. DO NOT SCALE PRINT.

PRINT JOB 39

| REV | DESCRIPTION | BY | DATE |
|-----|-------------------------------------|--------|----------|
| L | REVISED ECN BD2619 | TJW | 3-89 |
| K | OBS-2 PER ECN | S 4359 | 7/16/89 |
| J | OBS-3 PER ECN | S 4436 | 4-88 |
| H | REVISED | S 4142 | 9-87 |
| G | REV PER ECU | B 840 | 10/18/87 |
| F | ADDED-3 PER ECN | B 742 | 5/19/87 |
| E | NOTE ADDED | B 141 | 9/14/87 |
| D | REV. RETAINER SPRING TO SST | Z 208 | 10/22/86 |
| C | ADDED - ? | Z 361 | 88 |
| B | REVISED | U-5 | 8-28-83 |
| A | REVISED | R/DR | 4/1/82 |
| | REVISED | S 341 | 5-16-82 |
| | REVISED | S 111 | 2-21-82 |
| | MATZ WAS BRONZE ON RETAINING SPRING | S 111 | 2-21-82 |

| | | |
|--|---|------------------|
| MATERIAL SEE CALL OUT | DR 11/11/89 122761 | ENGR 12/23/89 |
| HEAT TREAT H | CHK 1-3-82 | APP 12/28/81 |
| FINISH SEE CALL OUT | AMP AMP INCORPORATED HARRISBURG, PENNA. | |
| NAME #16 PIN CONTACT ASSY SPECIAL SHORT WIRE SIZE #14 | | |
| SCALE 10:1 | LOC R | NO 201645 |
| | REV B | REV L |

CUSTOMER DRAWING